

**SAFETY BACK-UP FUSE**

In the unlikely case the heater does not respond to an overheat situation, the safety back-up fuse will engage. In this case, the heater will not reset. Please contact your local service number for advice.

**TIP OVER PROTECTION**

When the unit is accidentally knocked over, it will instantly shut off. To reset, simply place the heater in an upright position.

**BATHROOM USE  
UK ONLY:**

- Regulations prevent the use of this heater in the bathroom.

**IN OTHER COUNTRIES**

- If you are unsure about the installation of this heater in the bathroom we recommend that you seek advice from a professional electrician/installer.
- If this heater is going to be used in a bathroom, or similar room, it must be installed:
  - a. In such a way that the switches and other controls cannot be touched by the person in the bath or shower.
  - b. Outside the grey shaded areas (Fig.7).

**CLEANING AND MAINTENANCE**

- Turn off the unit.
- Remove the plug from the wall socket.
- Wait for the heater to cool down sufficiently.
- You may clean the outside of the heater with a damp cloth. DO NOT allow water to come into the appliance. DO NOT use soap or chemicals, which may damage the housing. Allow sufficient time to dry before plugging the unit back in the socket.
- Clean the air inlet and outlet openings regularly (with normal use at least twice a year) with a vacuum cleaner.

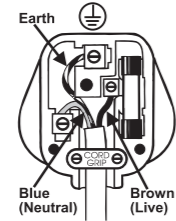
**FOR U.K. AND IRELAND ONLY**

If the plug is not suitable for the socket outlets in your home, it can be removed and replaced by a plug of the correct type. Please refer to "Installation of a plug" below.

**Installation of a plug applicable to U.K. and Ireland**

**NOTE:** If the terminals in the plug are not marked or if you are unsure or in doubt about the installation of the plug please contact a qualified electrician.

If a 13A 3-pin plug is fitted, it must be an ASTA approved plug, conforming to BS1363 standard. Replacement 13A fuses must be BSI or ASTA BS1362 approved.



**WARNING – THIS APPLIANCE MUST BE EARTHED**

The wires in the mains lead are coloured as such:  
 GREEN AND YELLOW - EARTH  
 BROWN - LIVE  
 BLUE - NEUTRAL

Please note that the colour of these mains wires may not correspond with the colour markings that identify the terminals in your plug.

Please proceed as follows:

The wire which is coloured GREEN AND YELLOW must be connected to the terminal which is marked with the letter "E" or by the earth symbol ⊕ or GREEN AND YELLOW. The BROWN coloured wire must be connected to the terminal, which is marked with the letter "L" or is coloured RED. The BLUE coloured wire must be connected to the terminal, which is marked with the letter "N" or is coloured BLACK.

**GUARANTEE**

Please keep your receipt as this will be required for any claims under this guarantee.

This appliance is guaranteed for 3 years after your purchase as described in this document. During this guaranteed period, if in the unlikely event the appliance no longer functions due to a design or manufacturing fault, please take it back to the place of purchase, with your till receipt and a copy of this guarantee.

The rights and benefits under this guarantee are additional to your statutory rights, which are not affected by this guarantee. Only Holmes Products (Europe) Ltd. ("Holmes") has the right to change these terms.

Holmes undertakes within the guarantee period to repair or replace the appliance, or any part of appliance found to be not working properly free of charge provided that:

- you promptly notify the place of purchase or Holmes of the problem; and
- the appliance has not been altered in any way or subjected to damage, misuse, abuse, repair or alteration by a person other than a person authorised by Holmes.

Faults that occur through, improper use, damage, abuse, use with incorrect voltage, acts of nature, events beyond the control of Holmes, repair or alteration by a person other than a person authorised by Holmes or failure to follow instructions for use are not covered by this guarantee. Additionally, normal wear and tear, including, but not limited to, minor discoloration and scratches are not covered by this guarantee. The rights under this guarantee shall only apply to the original purchaser and shall not extend to commercial or communal use.

If your appliance includes a country-specific guarantee or warranty insert please refer to the terms and conditions of such guarantee or warranty in place of this guarantee or contact your local authorized dealer for more information.

Waste electrical products should not be disposed of with Household waste. Please recycle where facilities exist. E-mail us at enquiriesEurope@jardencs.com for further recycling and WEEE information.

Holmes Products (Europe) Limited  
 1 Francis Grove  
 London  
 SW19 4DT  
 UK



**Holmes Products (Europe) Ltd.  
 1 Francis Grove  
 London SW19 4DT  
 England**

**Fax: +44 (0)20 8947 8272  
 Email: enquiriesEurope@jardencs.com  
 UK - Filter Sales Order Line - 0870 759 9000  
 Website address: www.bionaire.com  
 UK - Free phone Customer Service Helpline – 0800 052 3615**



© 2009 Sunbeam Products, Inc. doing business as Jarden Consumer Solutions. All rights reserved. Distributed by Holmes Products (Europe) Ltd., 1 Francis Grove, London SW19 4DT, United Kingdom. Printed in PRC

© 2009 Sunbeam Products, Inc. faisant affaires sous le nom de Jarden Consumer Solutions. Tous droits réservés. Distribué par Holmes Products (Europe) Ltd., 1 Francis Grove, London SW19 4DT, United Kingdom. Imprimé en PRC

SPR-041409

P/N: 132923



**PANEL  
HEATERS**

MODELS# BPH1414, BPH1520

**INSTRUCTION MANUAL**

# BPH1414, BPH1520

Fig. 1

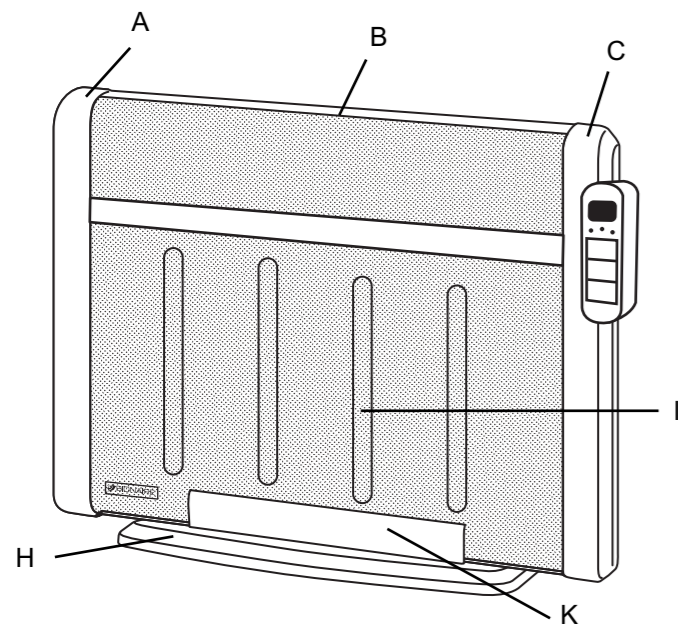
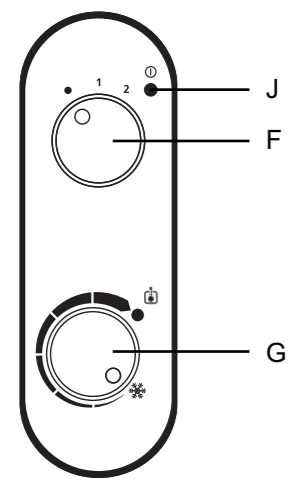


Fig. 2

BPH1414



BPH1520

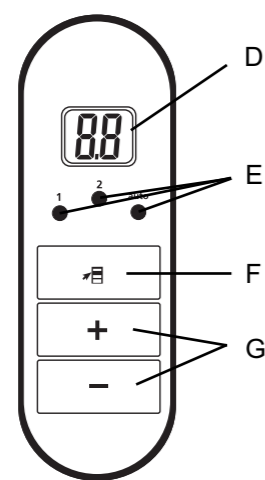


Fig. 3

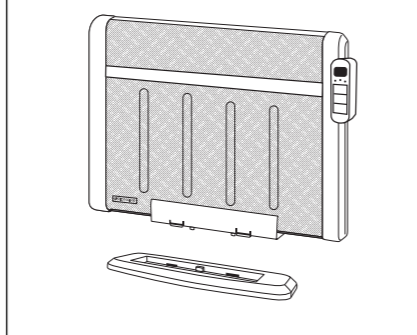


Fig. 4

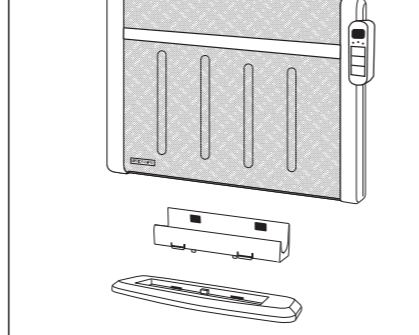


Fig. 5

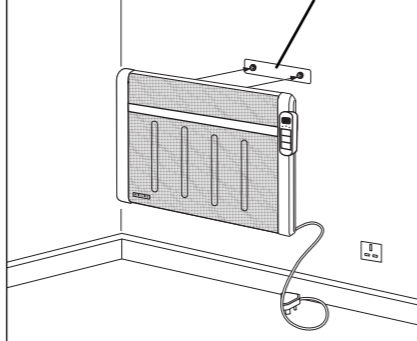


Fig. 6

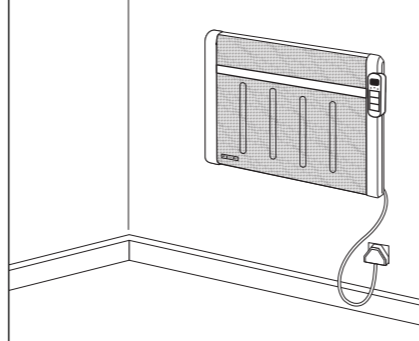
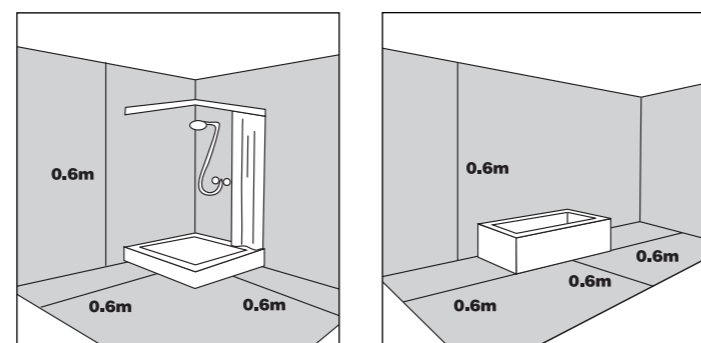


Fig. 7



**NOTE:** Not suitable for bathroom use in the UK.

## ENGLISH

### FUTURE REFERENCE.

### DESCRIPTIONS (See Fig.1 & 2)

- A. Left End Cap
- B. Rear Housing
- C. Right End Cap
- D. Display
- E. Mode indicator lights
- F. Mode Button/Adjustment
- G. Thermostat Adjustment
- H. Base
- I. Grill
- J. Power Light
- K. Base Mount
- L. Mounting Bracket (Figure 5)

### PLEASE READ AND SAVE THESE IMPORTANT INSTRUCTIONS

When using electrical appliances, basic safety precautions should always be taken including the following:

1. Before connecting the heater, check that the voltage indicated on the rating plate corresponds to the main voltage in your home/office.
2. **WARNING:** In order to avoid overheating, do not cover the heater (⊘).
3. DO NOT position the heater directly under a power socket.
4. Do not use this heater in the immediate surroundings of a bath, a shower or a swimming pool.
5. If the supply cord or plug is damaged, it must be replaced by the manufacturer or its service agent or similarly qualified person in order to avoid hazard. The heater contains no user serviceable parts. Should the product suffer damage or breakdown, it must be returned to the manufacturer or their service agent.
6. Under the environment with electrical fast transient, the product may malfunction and require user to reset the product.
7. Do not use this heater with a programmer, timer or any other device that switches the heater on automatically, since a fire risk exists if the heater is covered or positioned incorrectly.
8. Only touch the heater with dry hands.
9. DO NOT use this heater outdoors.
10. DO NOT position where it can be touched by children, especially the very young.
11. Allow a safe area around the heater away from furniture or other objects; at least 50 cm from the top and sides and 200 cm at the front.
12. Do not use this heater when it is lying on its side.
13. DO NOT use the heater in rooms with explosive gas (e.g. petrol) or while using

inflammable glue or solvent (e.g. when gluing or varnishing parquet floors, PVC etc.)

14. DO NOT insert any objects into the heater.
15. Keep the mains cord at a safe distance from the main body of the heater.
16. If overheating should occur, the built-in overheating safety device will switch off the heater.
17. Do not place the cord under a rug.
18. The heater is to be installed so that switches and other controls cannot be touched by a person in the bath.
19. Heater must be installed at least 0.6 m above the floor.
20. The heater cannot be used adjacent to curtains or combustible material. Curtains or combustible material may be burned if the heater was installed incorrectly.
21. This appliance is not intended for use by persons (including children) with reduced physical, sensory or mental capabilities, or lack of experience and knowledge, unless they have been given supervision or instruction concerning use of the appliance by a person responsible for their safety. Children should be supervised to ensure that they do not play with the appliance.
22. **WARNING:** Risk of Fire. Discontinue use if the outlet or plug become hot to the touch. Overheating may indicate a worn or damaged outlet. Consult a qualified electrician for outlet replacement.
23. **CAUTION:** In order to avoid a hazard due to inadvertent resetting of the thermal cut-out, this appliance must not be supplied through an external switching device, such as a timer, or connected to a circuit that is regularly switched on and off by the utility.

### BASE ASSEMBLY (See Fig. 3)

1. Insert base (H) into the bottom of the base mount (K) which is attached to the bottom of the Grill (I).

### WALL MOUNTING ASSEMBLY (See Fig. 4 – Fig. 6)

**IMPORTANT:** Before drilling into any wall ensure no electrical cables are present in the area.

**NOTE:** Due to the multitude of potential mounting surfaces, mounting screws are not included with this product. Please seek professional assistance or visit your local hardware store to determine which type of screw is best for your particular wall.

1. Remove Base (H) from the bottom of the Base Mount (K).
2. Remove Base Mount from the bottom of the Grill (I) by removing the two securing screws.
3. Secure the Mounting Bracket (L) to the wall.
4. Hang the main body on the Mounting Bracket.

### Turning the unit on/off and setting the Digital thermostat (BPH1520 Only)

1. Plug unit into wall socket.
2. Locate on/off switch on the bottom of the right end cap and switch to the on position.
3. Press (⏻) Mode button (F):
  - 1<sup>st</sup> = LO; runs continuously on Low.
  - 2<sup>nd</sup> = HI; runs continuously on High.
  - 3<sup>rd</sup> = Auto Low (AL); press (+) or (-) to set desired temperature.
  - 4<sup>th</sup> = Auto HI (AH); press (+) or (-) to set desired temperature.
4. Once you have selected the mode and temperature, the display returns to the current room temperature and gradually increases as the room warms.
5. If you selected an Auto mode and the heater does not start, make sure the set temperature is higher than the current room temperature.
6. To turn the unit off keep pressing the mode button (F) until all mode indicator lights (E) are not illuminated.
7. Switch off the on/off switch located on the bottom of the right end cap.

**NOTE: The Mode Indicator Light (E) will flash in the AUTO mode if the set temperature is lower than the current room temperature displayed on the Display, this is also the same if the unit has reached the required set temperature.**

**NOTE: In Auto mode, it is normal for the heater to cycle ON and OFF as it maintains the programmed temperature. To prevent the unit from cycling, raise the thermostat setting.**

**The Digital Thermostat remembers the previous temperature setting after the unit is turned off. However, if the unit is unplugged, the digital thermostat resets and no longer remembers the previous temperature setting.**

### Turning the unit on/off and setting the thermostat (BPH1414 Only)

1. Plug unit into wall socket.
2. Rotate the mode adjustment knob clockwise from the (0) position to either 1 (Low setting) or 2 (High setting) to get a constant heat output.
3. To find the ideal thermostat setting, turn the thermostat adjustment knob clockwise to "max".
4. When the desired temperature is reached slowly turn the thermostat knob anti-clockwise until the heater turns off.
5. The heater will now automatically retain the temperature at the required level.
6. To turn the unit off rotate the mode adjustment knob anti-clockwise to the (0) position.

### PROGRAMMABLE TIMER (BPH1520 Only)

You can program your heater to turn on at a preset time or turn off after a set amount of time.

#### Setting the On Timer:

1. With the heater off, press and hold (+) and (-) simultaneously until the display flashes and display the number "0".
2. Press (+) or (-) to select the amount of time you would like to pass before the heater turns on.
3. After setting the timer, the display shows a red dot next to the current room temperature on the display to indicate that the timer is activated.
4. After the programmed length of time has passed, the heater automatically turns on Auto HI at 24°C (75°F) for 2 hours.

#### Setting the Off Timer:

1. Select the desired mode and/or temperature.
2. With the heater running, press and hold (+) and (-) simultaneously until the display flashes.
3. Press (+) or (-) to select the amount of time you would like the heater to run.
4. After setting the timer, the display shows a RED dot next to current room temperature on the display to indicate that the timer is activated.
5. The heater automatically shuts off after the programmed length of time has passed.

### FROST GUARD (BPH1520)

Press the (⏻) Mode button 5 consecutive times for Anti Frost setting (AF will show in the digital display). This special setting is automatically activated when the (AF) mode is selected. In this mode, the heater is off until the room's temperature reaches freezing and the heater automatically turns on HI power. The heater will cycle ON and OFF as it maintains the temperature between 5-8 °C.

### FROST GUARD (BPH1414)

Keep unit in 1 (low setting) or 2 (high setting) rotate thermostat adjustment knob to beginning position (⊘). Unit will stop working. This special setting is automatically activated. In this mode, the heater is off until the room's temperature reaches freezing and the heater automatically turns on HI power. The heater will cycle ON and OFF as it maintains the temperature between 5-8 °C.

### AUTO SAFETY SHUT OFF

The heater has a built in safety device which will switch off the heater automatically in case of accidental overheating. It can only resume operation when the user has reset the unit. For the BPH1520 (OH) will display in an overheat situation.

#### To reset the heater:

1. Unplug the heater and wait for 30 minutes for the heater to cool down.
2. After the 30 minutes, plug the heater in again and operate normally.